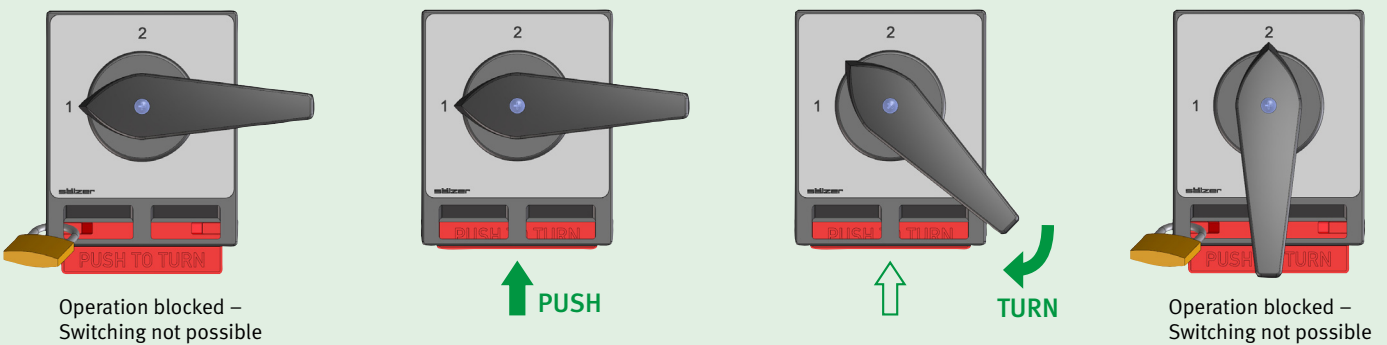


## Interlocks for safety-critical applications



- Padlock device with “Push-To-Turn” feature – optional with **signal contact**
- Padlockable handles
- Solenoid lock devices

### Padlock device with “Push-To-Turn” feature optional with integrated microswitch for signal contact



- Operator is blocked in the initial position – Switching is not possible
- Pressing the red pusher manually leads to unblock – Switching is possible
- **Option microswitch:**  
By manually pressing the red pusher the microswitch responds. Through an additional insertion of the pusher until stop, blocking is released and switching is possible.
- Releasing the pusher automatically causes re-blocking by spring force
- The particular switching position can be locked by padlock

Suitable for following types:

S606, S608, S612  
S825

Technical data microswitch:

Contact configuration 1-pole changeover switch  
Switching capacity 10 A / 24 V AC

#### Special requirements?

Call us, we'll help you find an individual solution for your switching needs.

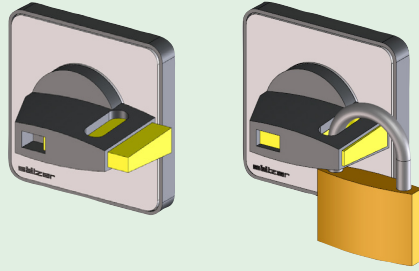
**Salzer Electric GmbH**  
Clemens-Pfau-Platz 27  
09306 Rochlitz (Germany)  
T +49 (0) 37 37 - 87 280  
F +49 (0) 37 37 - 87 246  
sales@salzer.de  
www.saelzer.com

**Salzer UK Limited**  
44 Edison Road  
Aylesbury Bucks., HP19 8TE  
T +44 (0) 1296 399992  
F +44 (0) 1296 392229  
sales@salzeruk.co.uk  
www.salzeruk.co.uk

**Salzer USA Corporation**  
3802 N. 54th Street  
Mesa, AZ 85215  
T +1 480-325-2690  
F +1 480-985-9663  
info@salzerusa.com  
www.salzerusa.com

Follow us on 

### Padlockable handle

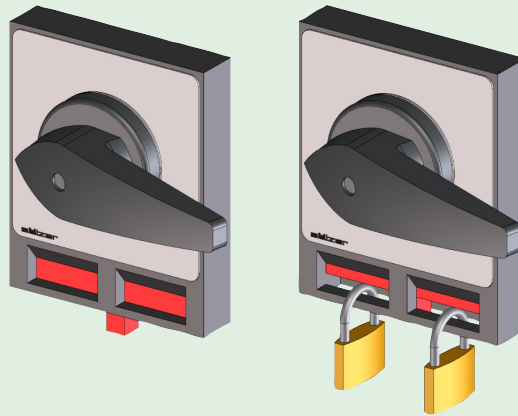


Yellow pusher pressed:  
The particular switching position  
can be locked by padlocks.

Suitable for following types:

S225  
S432, S440

### Padlock device



Red pusher in initial position:  
Switching position can be changed.

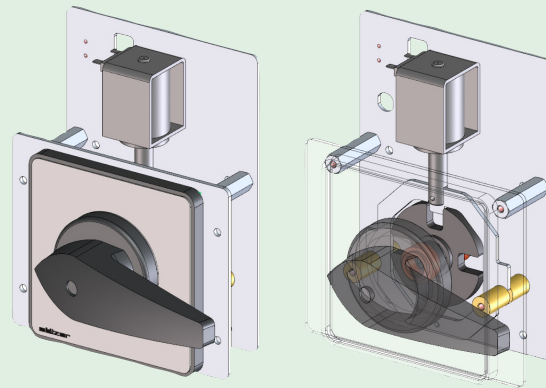
Red pusher pressed in:  
Switching is not possible

The particular switching position  
can be locked by padlocks.

Suitable for following types:

S432, S440  
S606, S608, S612  
S825

### Operator with solenoid lock device



Different locking possibilities:

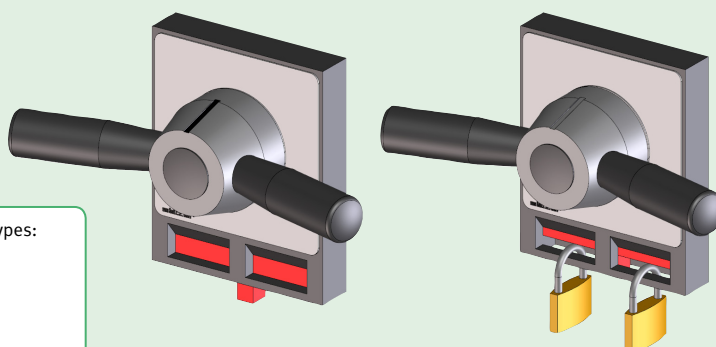
- Locked when solenoid is energized
- Locked when solenoid is de-energized

Different magnet versions  
(AC/DC) on request.

Suitable for following types:

S432, S440  
S606, S608, S612  
S825

### Padlock device for two-handed operation



Suitable, among others, for the  
following fields of application:

- Tandem switches
- Switches with many contact stages

Suitable for following types:

Tandem switches:  
S606, S608, S612  
S825  
Many contact stages:  
S825